

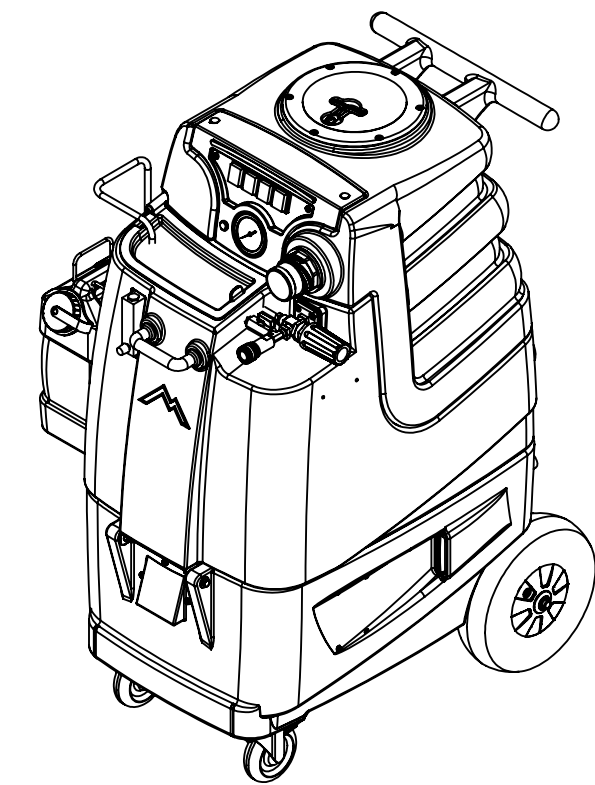
ITEM NO.	PART NO.	DESCRIPTION	QTY.	MSRP
1	H347	clamp, hose, 5/16-29/32	14	\$1.99 ea
2	PH615-2	sol hose, 1/2", 3045psi, black	1	\$8.99 ft
3	H273	nut, kep, #10-32 zinc	16	\$0.99 ea
4	H210	washer, 1/4" flat, s/s	30	\$0.99 ea
5	H186	screw, 10-32 x 3/4, phil flat full thread	8	\$0.99 ea
6	C381	pump out, 115v	1	\$187.49 ea
7	PH615-37	sol hose, 1/2", 3045psi, black	1	\$8.99 ft
8	H219	cap, axle, 1/2"	2	\$0.99 ea
9	H109	wheel, 10", foam filled	2	\$79.99 ea
10	H232	axle, 19.75" x .50"	1	\$9.99 ea
11	P511	LX series base	1	\$196.99 ea
12	P514	vent, side, LTD	2	\$5.00 ea
13	H668	caster, 4", black hub & gray tread	2	\$19.49 ea
14	H342	bolt, 1/4-20 x 1" hex head, s/s	8	\$0.99 ea
15	H216	nut, lock, 1/4-20, nylon insert, s/s	14	\$0.99 ea
16	C317	fan, cooling, 115V	1	\$21.49 ea
17	H343	screw, 10 x 5/8" hex head, zinc	4	\$0.99 ea
18	E370	controller, water level, dual pump or vac	1	\$94.99 ea
19	H202	bolt, 1/4x20x3/4" hex head	4	\$0.99 ea
20	B135	tee, brass, 1/4" mpt	2	\$5.49 ea
21	B143	street elbow, 90 degrees, 1/8"	4	\$2.99 ea
22	C332	pump head, general, 2.1 GPM	1	\$569.99 ea
23	B172	elbow, brass, 90 deg, 1/2" barb x 3/8"mpt	1	\$9.49 ea
24	PH615-23	sol hose, 1/2", 3045psi, black	1	\$8.99 ft
25	B123	adapter, brass, 1/2" barb x 1/4" fpt	1	\$4.99 ea
26	B168	adapter, 3/8" NPTF x 3/8"NPTM	1	\$3.99 ea
27	B169	tee, 3/8" Street Tee, MPTxFPTxFPT	1	\$23.99 ea
28	B246	plug, brass, 3/8" mpt, hex	1	\$1.99 ea
29	B105	bushing, brass, 3/8"mpt x 1/4"	5	\$3.19 ea
30	B197	valve, solenoid, 1/4", 115V	1	\$89.99 ea
31	C330	motor, for pump, 0.5 HP, 1725 RPM	1	\$359.99 ea
32	PH615-32	sol hose, 1/2", 3045psi, black	1	\$8.99 ft
33	B160	adapter, brass, 1/2" barb x 3/8" fsw, ball end	2	\$3.49 ea
34	G068	bumper, 7/8" x 1/4" head	2	\$1.99 ea
35	H486	latch, front breeze	2	\$13.99 ea
36	H230	screw, 10-32 x 1/2" phil pan head, s/s	20	\$0.99 ea
37	H221	nut, lock, 1/2" steel	2	\$1.99 ea
38	H220	fitting, strain relief, cord	2	\$3.19 ea
39	E550	power cord, pigtail, 30", 12/3, black	2	\$11.49 ea
40	E564	controller, circuit light	1	\$62.99 ea
41	E369	hour meter, panel mount, analog	1	\$35.99 ea
42	B132	adapter, brass, 1/2" barb x 1/2" mpt	1	\$9.49 ea
43	H039	plate, auto fill/ pump out	1	\$9.99 ea
44	B210	bushing, brass, 1/2"mpt x 3/8" fpt, hex	2	\$2.49 ea
45	B640	filter, 60 mesh, garden hose	1	\$1.99 ea
46	B642	swivel, brass, 3/4" fgh x 1/2" fpt	1	\$5.49 ea
47	B107	nipple, brass, 1/4"m, hex	3	\$3.19 ea
48	B656A	ball valve, 1/2" m x 1/2" f	1	\$16.49 ea
49	B271	bushing, hex, 3/8" mpt x 1/2" fpt	1	\$6.99 ea
50	B221	plug, brass, 3/4", garden hose	1	13.99 ea
51	B111	adapter, brass, extender, 1/4" mpt x 1/4" fpt, hex	1	\$3.49 ea
52	H299	washer, 1 1/16" id x 1-1/2" od x .075, s/s	9	\$0.99 ea
53	B186	elbow, brass, 90 deg, 3/8"mpt x 3/8" fmpt	1	\$8.99 ea
54	B303	nipple, 3" x 1/4" npt x 1/4" npt	2	\$8.99 ea
55	B142	coupling, brass, 1/4" fpt x 1/4" fpt	1	\$4.49 ea
56	B643	adapter, brass, 3/8" fnt x 1/4" mnpt	2	\$4.99 ea
57	H541C	chemical injector	1	\$39.99 ea
58	B199	coupler, 1/2" fpt x 1/4" fpt	1	\$8.99 ea
59	B167	street elbow, 1/2" fpt x 1/2" mpt	1	\$10.99 ea
60	B198	coupler, 3/4" fpt x 1/2" mpt	1	\$16.99 ea
61	H541A	valve, float, autofill	1	\$109.00 ea
62	B109	adapter, brass, 1/4" barb x 1/4" mpt	3	\$1.99 ea
63	B104	bushing, brass, 1/4" mpt x 1/8" f	2	\$1.99 ea

ITEM NO.	PART NO.	DESCRIPTION	QTY.	MSRP
64	B129	nipple, hex, 1/8" mpt x 1/8" mpt	3	\$1.99 ea
65	B113	tee, brass, 1/4" fpt	1	\$6.99 ea
66	B103	elbow, brass, 90 deg, 1/4"mpt x 1/4" fpt	2	\$4.49 ea
67	B119A	filter, strainer, 1/2"	1	\$6.49 ea
68	H213	washer, 1/4" lock, s/s	8	\$0.99 ea
69	H201	bolt, 1/4-20 x 1/2", hex head, zinc	2	\$0.99 ea
70	H378	bracket, front hinge, sp/fb	1	\$8.99 ea
71	H204	bolt, 1/4-20 x 1 3/4" hex head, s/s	2	\$0.99 ea
72	PH634-18	sol hose, 1/4", silicone braided, clear	1	\$6.49 ea
73	B131	fitting, 1/4" barb x 1/8" FPT	2	\$2.99 ea
74	H325	flow meter, electric truckmount	1	\$189.99 ea
75	G069	gasket, flow meter	1	\$0.99 ea
76	H246	screw, 8-32 x 3/8" SHCS, alloy, Black	2	\$0.99 ea
77	H547	hanger, wire for injection sprayer	1	\$7.49 ea
78	G036	cap, 2.5" threaded, tethered	2	\$3.49 ea
79	P534	bottle, 7 quart, w/ caps	1	\$18.99 ea
80	B117	strainer, with check, chemical injector	1	\$18.99 ea
81	H846B	cap, gallon jug, 1-5/8"	1	\$0.99 ea
82	PH634-26	sol hose, 1/4", silicone braided, clear	1	\$6.49 ea
83	H485	handle, breeze and dx	1	\$6.99 ea
84	H768	bolt, 1/4-20 x 3/4" serrated hex flange, zinc	2	\$0.99 ea
85	G052	washer, buna 1-1/8" od x 3/16" id	2	\$1.99 ea
86	H211	washer, 1/4" id x 1" od, flat, s/s	2	\$0.99 ea
87	P509	LX series sol tank	1	\$141.95 ea
88	H650	bolt, 5/16" shoulder x 1-1/2" lg, alloy	1	\$0.99 ea
89	P513	solution tank lid, LTD	1	\$9.00 ea
90	H390A	bracket, "L"	2	\$6.99 ea
91	H770	bolt, 1/4-20 x 1/2" serrated hex flange, zinc	4	\$0.99 ea
92	H124	Cuff-Lynx, 2" mpt x 2" female cuff	2	\$3.99 ea
93	PH634-20	sol hose, 1/4", 300 PSI	1	\$6.49 ft
94	C313C	regulator, 450 psi, silver spring	1	\$86.99 ea
95	H484	plate, mounting, QD	1	\$4.99 ea
96	AH117	hose, pulse, black, 1/4" fswl x 1/4" fswl, 48" (OAL)	2	\$19.99 ea
97	B102	qd, brass, 1/4" f	1	\$17.99 ea
98	B656	ball valve, 1/4"	1	\$13.49 ea
99	PH634-36	sol hose, 1/4", 300 PSI	1	\$6.49 ft
100	H308D	gauge, pressure, 2000 PSI	1	\$38.99 ea
101	E512B	light, indicator, 125v (amber)	1	\$9.99 ea
102	H074	plate, switch, ltd5, ltd12	1	\$6.00 ea
103	E515	switch, rocker, 2 position	4	\$13.99 ea
104	H029	plastite screw, 10 x 1/2"	2	\$0.99 ea
105	P512	LX series switchbox	1	\$24.00 ea
106	H031	plastite screw, 10 x 1"	2	\$0.99 ea
107	H434	plug, vent, heyco, 1/2"	2	\$4.48 ea
108	H135	Cuff-Lynx, 2" m cuff x 2" mpt	1	\$3.99 ea
109	G083	gasket, 2" inlet	1	\$2.49 ea
110	H314	nut, lock, 1-1/2", steel	2	\$1.99 ea
111	P520	adapter, pvc, 1-1/2" mpt x 1-1/2" fms	2	\$2.99 ea
112	PH633-11	pipe, pvc, 1-1/2"	2	\$4.99/ft
113	H297	screw, 8 x 1/2", hex head, zinc	6	\$0.99 ea
114	P755	elbow, U, 180, 1-1/2", float	2	\$8.99 ea
115	H235	float, 1.5", ball style	2	\$19.99 ea
116	G090	lid, vac tank, clear, 7"	1	\$36.99 ea
117	H304	screw, #8 x 5/8 phil oval, s/s	6	\$0.99 ea
118	G091	gasket, 7", vac lid	1	\$11.99 ea
119	A926	elbow, inlet assembly 2"	1	\$15.99 ea
120	H225	valve, drain, 1-1/2"	1	\$20.99 ea
121	H226	spout, drain, 45 degree	1	\$3.19 ea
122	P510	LX series vac tank	1	\$99.99 ea

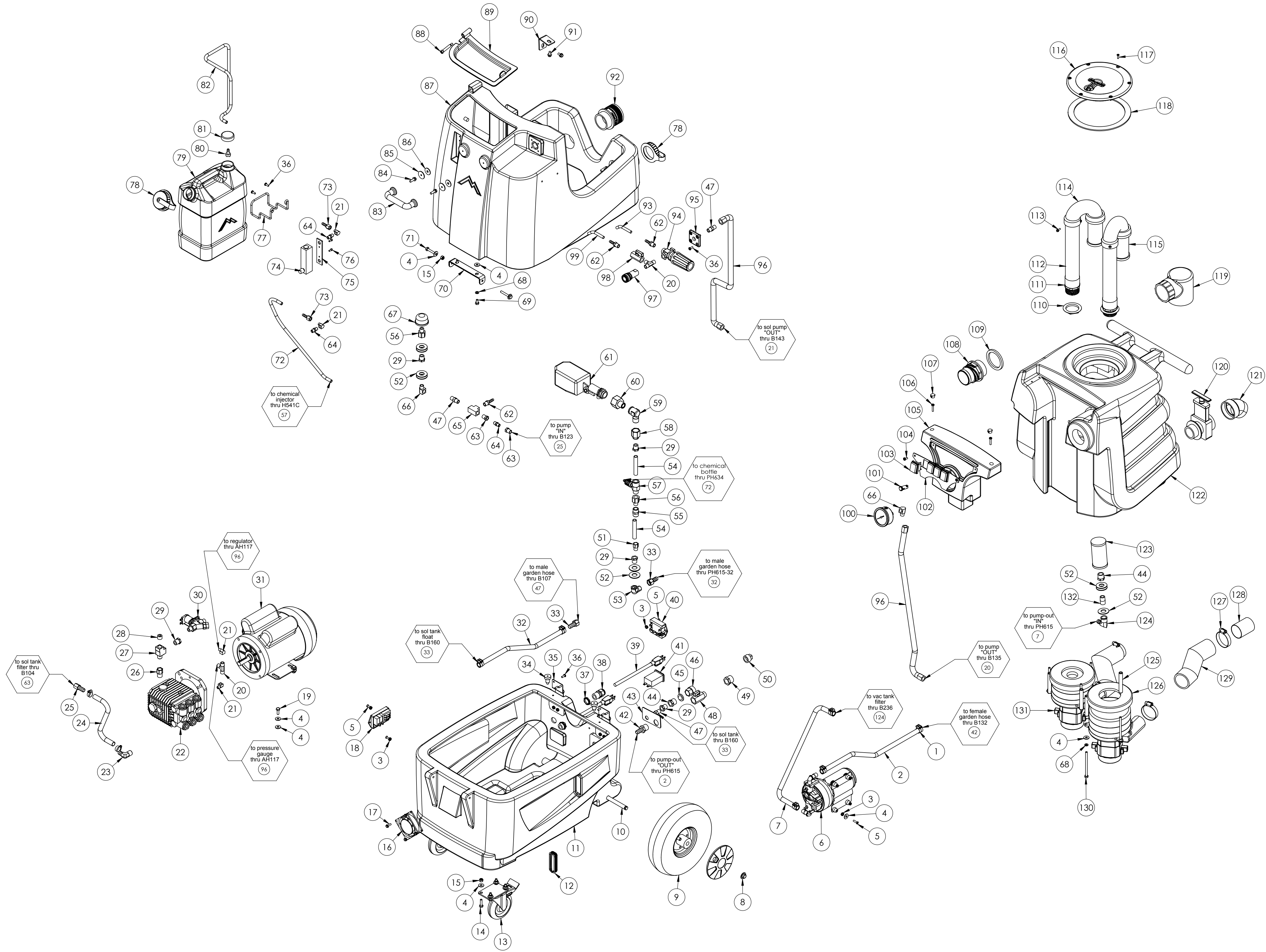
ITEM NO.	PART NO.	DESCRIPTION	QTY.	MSRP
123	H333	mesh filter, auto dump, 1/2" npt	1	\$12.99 ea
124	B236	elbow, brass, 90 deg, 1/2" barb x 3/8" fpt	1	\$14.49 ea
125	H503	vac support, 3-stage, 3.25", no threads	6	\$3.99 ea
126	G004	gasket, vac motor - Speedster	2	\$8.99 ea
127	H217	clamp, hose, 2-1/4 dia	4	\$1.49 ea
128	H194	coupler, 2" dia x 2.5" length, s/s	2	\$10.00 ea
129	PH628-7	vac hose, 2", black, wire reinforced	2	\$8.99 ft
130	H096	bolt 1/4-20 x 4, s/s	6	\$0.99 ea
131	C302LA	vac motor, 3 stage, low amp	2	\$139.99 ea
132	B216	nipple, brass, 3/8" x close	1	\$1.99 ea
133	G036	cap, 2.5" threaded, tethered	1	\$3.48 ea

ITEMS NOT SHOWN

PART NO.	DESCRIPTION	QTY	MSRP
E352	LED strip light, with lead wires	1	\$26.99 ea
E530	power cord, ext 50', 12/3, black	2	\$74.99 ea
G008	piglet filter	1	\$6.29 ea
G076	filter bag, 3.5" metal o-ring, mesh bag	1	\$4.99 ea
H110	Cuff-Lynx, 2: hose x 2" fem swivel	1	\$3.99 ea
H140	Cuff-Lynx, female swivel x female thread	1	\$3.99 ea
H141	Cuff-Lynx, 2: x 1.5" reducer	1	\$3.99 ea
AD127	stop sign, register your product	1	\$2.00 ea
ADM Cuff Lynx	Cuff-Lynx instruction guide	1	n/a



NAME	DATE	MYTEE PRODUCTS, INC. <small>858-679-1191</small>
DRAWN V. LaBarbera	9/30/11	
CHECKED		
PROPRIETARY AND CONFIDENTIAL <small>THE INFORMATION CONTAINED IN THIS DRAWING IS THE SOLE PROPERTY OF MYTEE PRODUCTS, INC. ANY REPRODUCTION IN PART OR AS A WHOLE WITHOUT THE WRITTEN PERMISSION OF MYTEE PRODUCTS, INC. IS PROHIBITED.</small>		speedster
SIZE	DWG. NO.	REV
C	LTD 5	B
SCALE: 1:12	DO NOT SCALE DRAWING	SHEET 1 OF 2



PROPRIETARY AND CONFIDENTIAL
 THE INFORMATION CONTAINED IN THIS DRAWING IS THE SOLE PROPERTY OF [INSERT COMPANY NAME HERE]. ANY REPRODUCTION IN PART OR AS A WHOLE WITHOUT THE WRITTEN PERMISSION OF [INSERT COMPANY NAME HERE] IS PROHIBITED.

UNLESS OTHERWISE SPECIFIED:		DRAWN		NAME		DATE	
DIMENSIONS ARE IN INCHES		CHECKED					
TOLERANCES:		ENG APPR.					
FRACTIONAL ±		MFG APPR.					
ANGULAR MATCH ±		G.A.					
BEND ±		COMMENTS:					
TWO PLACE DECIMAL ±							
THREE PLACE DECIMAL ±							
MATERIAL							
INTERPRET GEOMETRIC TOLERANCING PER:							
APPLICATION							

TITLE:		
speedster		
SIZE	DWG. NO.	REV
D	LTD 5	
SCALE: 1:24 WEIGHT:	SHEET 2 OF 2	

REV
 LTD 5
 B